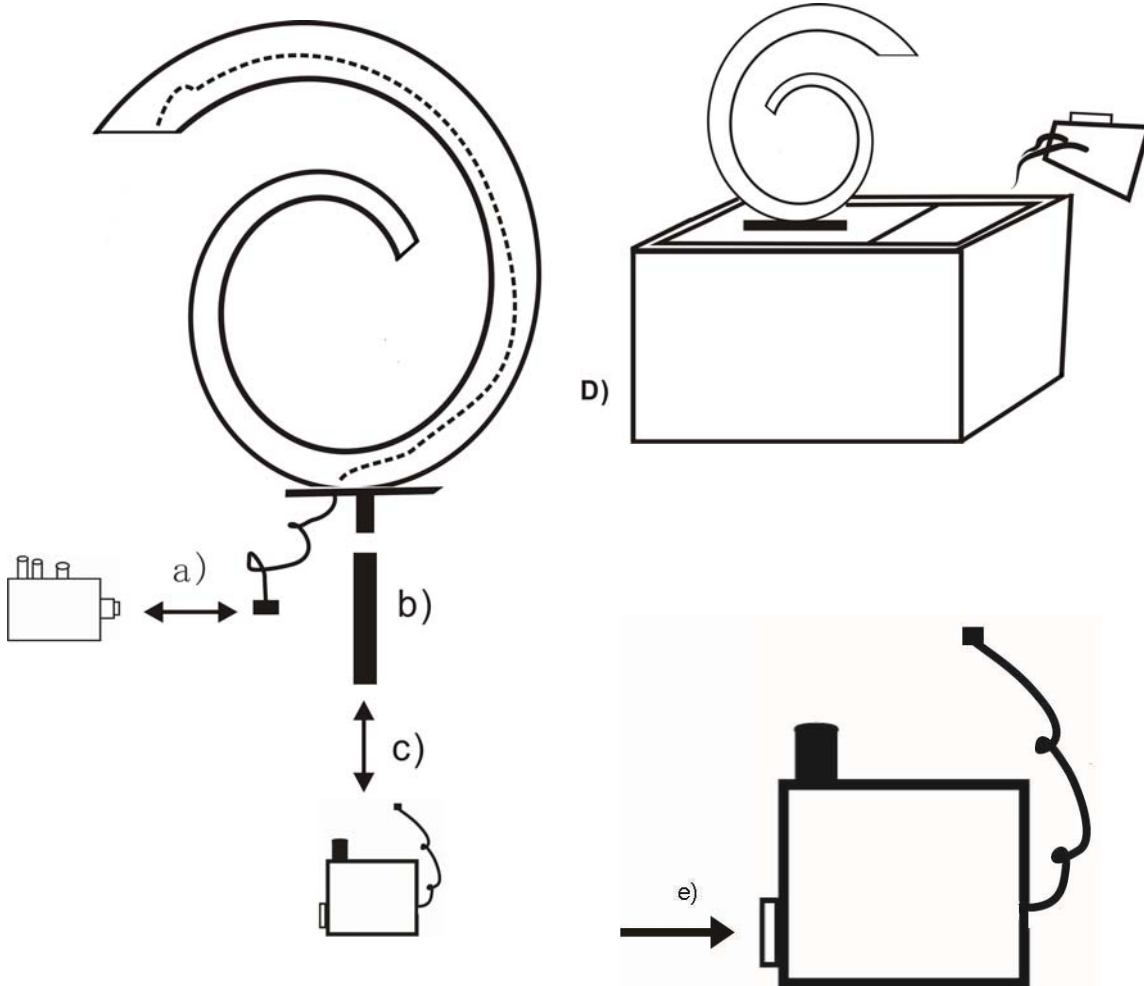


Installation Instructions

Steps

- 1). Connect LED wire and transformer, Screw tightly waterproof nut, showed as diagrammatic sketch a.
- 2). Connect rubber pipe and water inlet of Curly Swirly fountain, showed as diagrammatic sketch b.
- 3). Then, connect rubber pipe and water outlet of pump showed as diagrammatic sketch c.
- 4). Fasten Curly Swirly well at suitable position, Screw tightly nut, Fill clean water into reservoir as sketch D.
- 5). Turn on power supply, it begins to work, adjustable button on pump can control water flowing.



Maintenance

- 1). Make sure to use the proper voltage;
- 2). Keep water about 13cm depth in plastic reservoir;
- 3). After using for a period, if water flowing has decreased, replace some clean water or open the pump and clean up sundries inside.